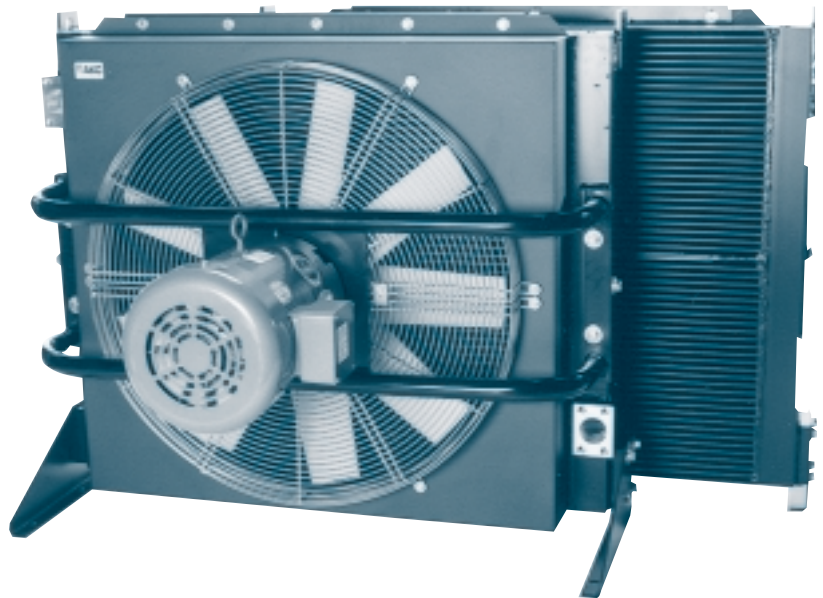




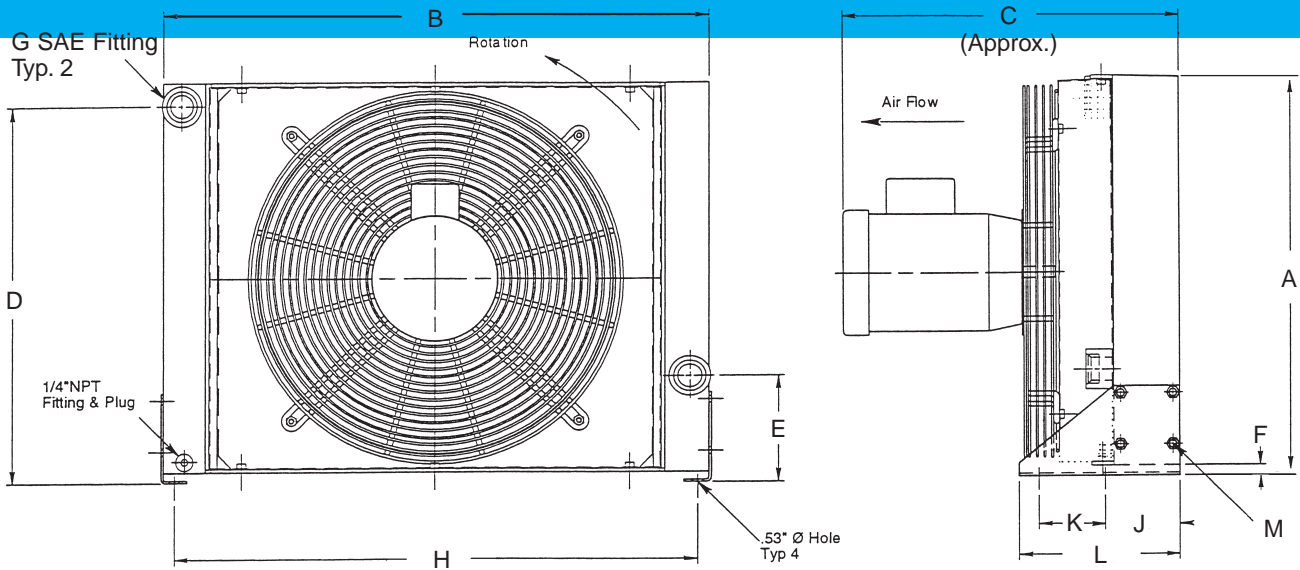
Dirty Environment Oil Coolers

SERIES

- ▶ Low Fouling Model Series
with Non-Louvered Fin Design
- ▶ Standard Models
with Higher Speed
Fans for Compact,
Most Economical
Selection
- ▶ Low Noise Models
with Slower Fan
Speeds for Reduced
Noise Levels and
Lower Fan HP
Requirements
- ▶ Competitive Pricing
Deliveries From Stock



Dimensions

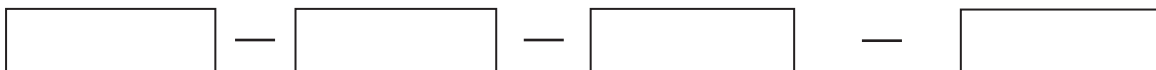


MODEL	A	B	C (Approx.)	D	E	F	G	H	J	K	L	M	Approx. Weights	
													Net	Shipping
ACD 8	12.44	15.75	14.72	11.30	3.27	0.55	#16 SAE 1 1/16-12 UN-2B	14.53	3.07	3.50	7.36	M8x10 Bolt (4 PL)	35	45
ACD 16	16.26	19.88	15.59	15.08	3.35	0.59	UN-2B	18.66					45	55
ACD 30	20.59	26.38	17.76	19.29	6.02	0.59	#20 SAE 1 1/8-12 UN-2B	25.20	4.17	3.74	9.02	M10x20 Bolt (8 PL)	90	125
ACD 40	22.44	30.32	18.74	21.18				29.09					125	163
ACD 70	28.27	37.01	22.60	20.47	9.92	2.09	2" SAE 4-Bolt FLANGE	37.48	5.39	7.87	15.47	M12x20 Bolt (8 PL)	195	240
ACD 100	37.40	40.95	24.76	29.69	9.02	0.59		41.42					350	405
ACD 130	37.52	42.91	29.84	35.52	9.13	0.59		43.49					365	420
ACD 160	44.09	48.82	30.28	34.72	11.02	0.65		49.29					480	545
ACD 250	57.64	52.76	33.82	43.62	17.56	2.04	3" SAE 4-Bolt FLANGE	50.55	7.80	10.00	20.00	3/4 x 1 1/2 Bolt (8 PL)	600	688

- Dimensions are in inches.
- We reserve the right to make reasonable design changes without notice.
- Weights are in pounds.

- Electric motors are totally enclosed, and are not thermally protected.
- Actual ratings vary with motor brand. Check motor nameplate for actual ratings.
- Motor RPM is reduced by 1/6 for 50 Hz service.

Ordering Information



ACD SERIES
Standard

ACDL SERIES
Low Noise

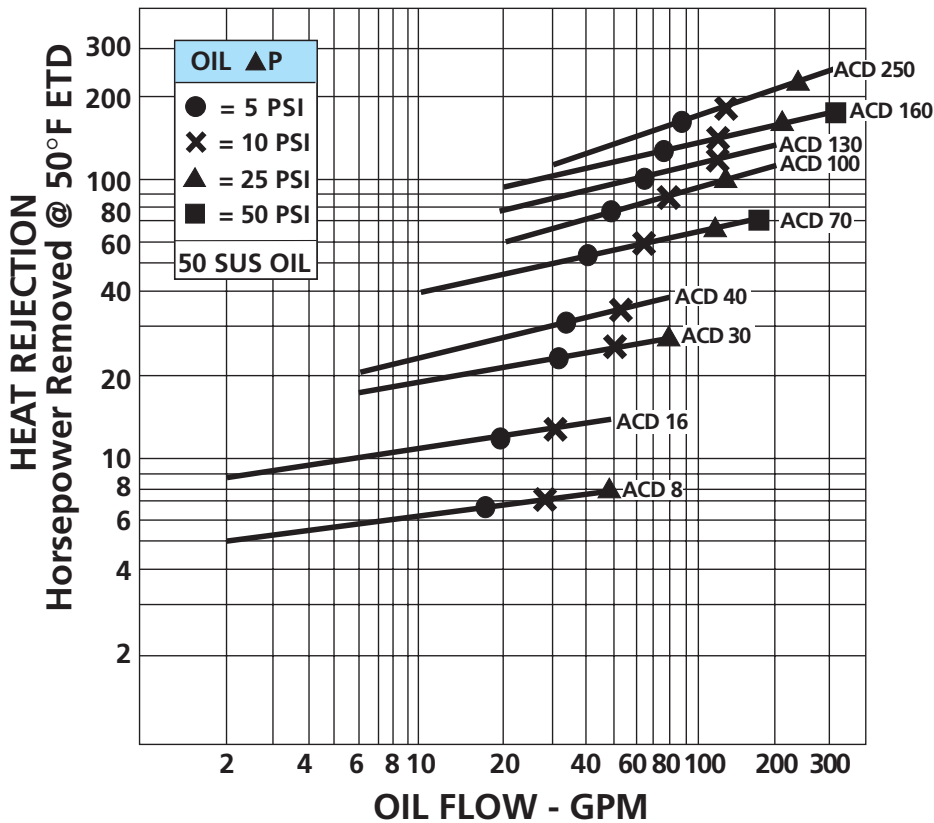
MODEL SIZE
SELECTED

MOTOR DATA
0=NO MOTOR
C=CORE ONLY
1= SINGLE PHASE
3=THREE PHASE
575=575 VOLT

CUSTOM FEATURE CODE
R=REVERSED AIR FLOW
AD=SAE TO NPT ADAPTORS INSTALLED
H=HERESITE COATING/CORE ASSEMBLY
CRN=CANADIAN REGISTRY, 250 PSI
CRS=CANADIAN REGISTRY, 150 PSI

Standard Models

PERFORMANCE DATA STANDARD MODELS ACD SERIES



NOISE LEVELS
dB A SCALE
AT 1 METER

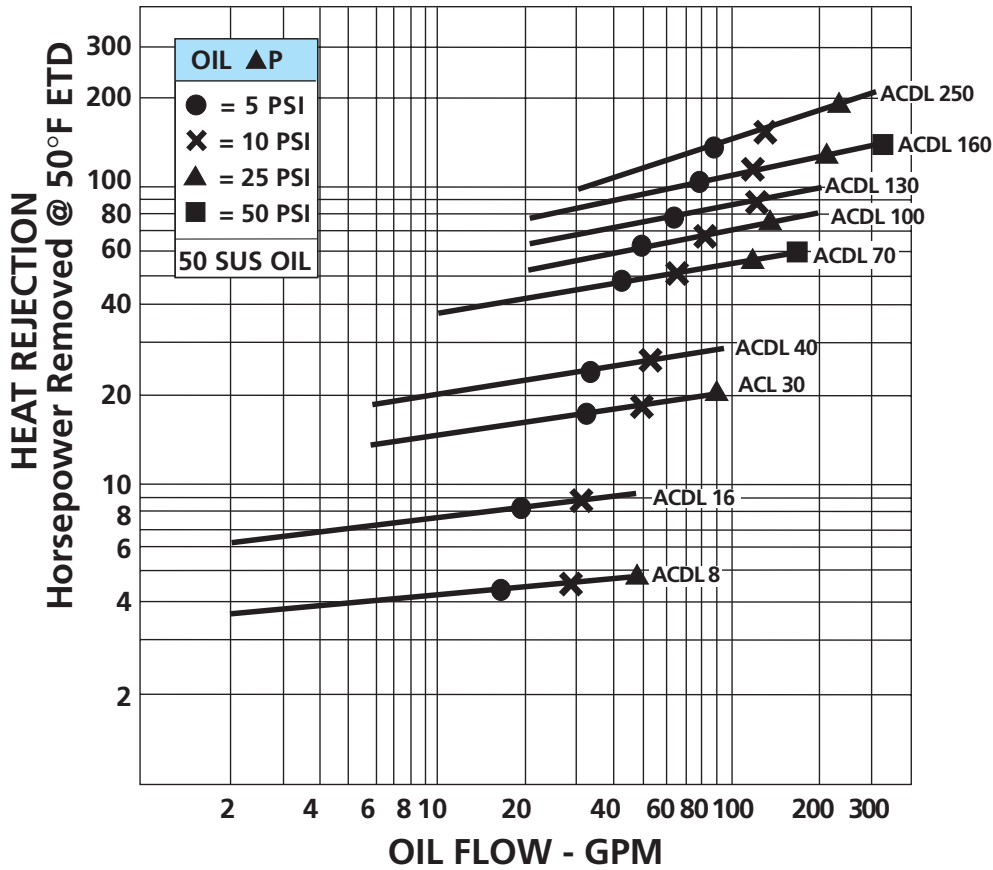
Model	dB(A)
ACD 8	80
ACD 16	85
ACD 30	85
ACD 40	88
ACD 70	93
ACD 100	94
ACD 130	96
ACD 160	98
ACD 250	101

ELECTRIC MOTOR DATA

Model Size	HP RPM	Motor Frame	SINGLE PHASE			THREE PHASE		
			Voltage	Hz	Full Load Amps 230 V.	Voltage	Hz	Full Load Amps 230V
ACD 8	1/3 3250	IEC 63	115/230	60	2.6	208-230/460	60	1.2
						200/220	50	
						380/440	50	
ACD 16	1/2 3250	IEC 71	115-208/230	60	3.4	208-230/460	60	2.0
						200/220	50	
						380/440	50	
ACD 30	1/2 1725	NEMA 56C	115-208/230	60	4.4	208-230/460	60	3.4
						190/200 208/220	50	
						380/400 416/440	50	
ACD 40	1 1725	NEMA 56C	115-208/230	60	6.4	208-230/460	60	6.2
						190/200 208/220	50	
						380/400 416/440	50	
ACD 70	2 1725	NEMA 56C	115/230	60	10.0	208-230/480	60	13.4
						190/200 208	50	
						380/400 416	50	
ACD 100	5 1725	NEMA 184TC	230	60	23.0	208-230/460	60	19.2
						190/200 208	50	
						380/400 416	50	
ACD 130	7.5 1725	NEMA 213TC	Consult Factory	60	23.0	208-230/460	60	19.2
						190/200 208	50	
						380/400 416	50	
ACD 160	7.5 1725	NEMA 213TC	Consult Factory	60	23.0	208-230/460	60	25.0
						190/200 208	50	
						380/400 416	50	
ACD 250	10 1725	NEMA 215TC	Consult Factory	60	23.0	208-230/460	60	25.0
						190/200 208	50	
						380/400 416	50	

Low Noise Models

PERFORMANCE DATA STANDARD MODELS ACDL SERIES



NOISE LEVELS dB A SCALE AT 1 METER	
Model	dB(A)
ACDL 8	62
ACDL 16	65
ACDL 30	72
ACDL 40	74
ACDL 70	79
ACDL 100	80
ACDL 130	85
ACDL 160	88
ACDL 250	90

ELECTRIC MOTOR DATA

Model Size	HP RPM	Motor Frame	SINGLE PHASE			THREE PHASE		
			Voltage	Hz	Full Load Amps 230 V.	Voltage	Hz	Full Load Amps 230V
ACDL 8	1/4 1700	IEC 63	Consult Factory			230/460	60	1.0
						220-380/440	50	
ACDL 16	1/3 1700	IEC 71	Consult Factory			230/460	60	1.4
						220-380/440	50	
ACDL 30	1/2 1140	NEMA 56C	115-208/230	60	4.9	208-230/460	60	2.4
						190/200 208/220	50	
						380/400 416/440		
ACDL 40	1/2 1140	NEMA 56C	115-208/230	60	4.9	208-230/460	60	2.4
						190/200 208/220	50	
						380/400 416/440		
ACDL 70	3/4 1140	NEMA 56C	115/208/230	60	5.3	208-230/480	60	3.0
						190/200 208	50	
						380/400 416		
ACDL 100	1.5 1140	NEMA 56C	Consult Factory			208-230/460	60	5.2
						190/200 208	50	
						380/400 416		
ACDL 130	2.0 1140	NEMA 184TC	Consult Factory			208-230/460	60	7.6
						190/200 208	50	
						380/400 416		
ACDL 160	5.0 1140	NEMA 215TC	Consult Factory			230/460	60	16.0
						380/400 416	50	
ACDL 250	7.5 1140	NEMA 215TC	Consult Factory			230/460	60	23.0
						380/400 416	50	

