

TEMPERATURE CONTROLLER WITH LED DISPLAY

PRODUCT INFORMATION

AKG TCP Series Temperature Switches

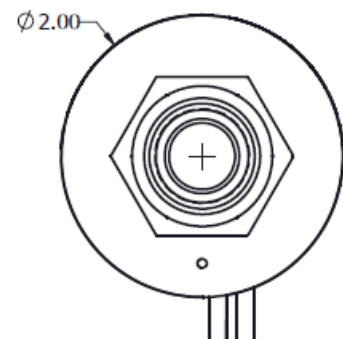
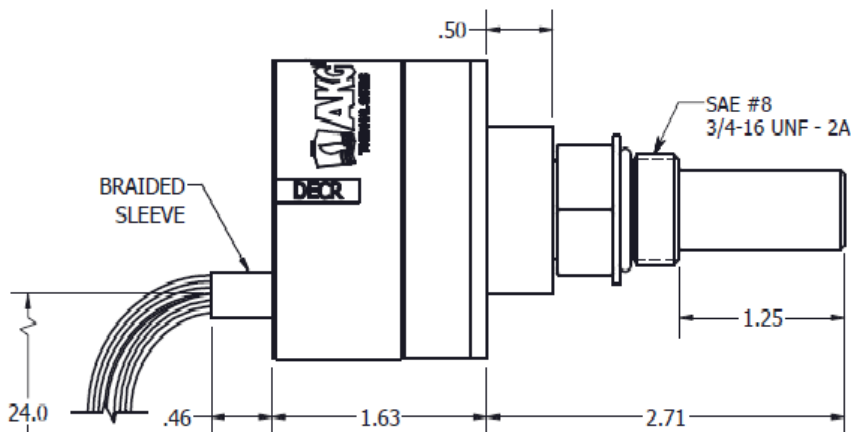
- 105-205°F Temperature range
- + / - 2°F Accuracy
- 30 amp switch per fan
- Water tight IP67 enclosure
- 6-32 volt
- Rated for 3000 psig
- #8 SAE connection (Fits AKG D and DCS series)
- 24" Wire leads
- Set point programmable in the field
- Programing via magnetic wand



MODELS

Model	Description
TCP1	Single Fan (One 30 amp switch)
TCP2	Dual Fan (Two 30 amp switches)

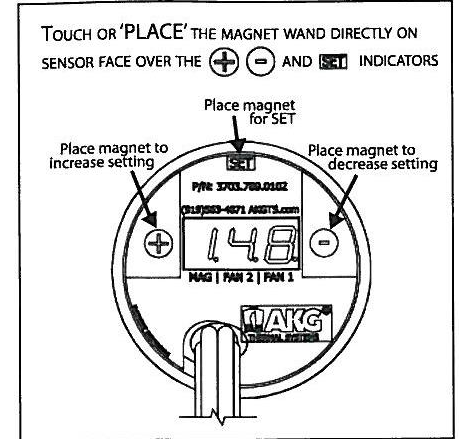
DIMENSIONS



Temperature Controller with LED Display

PROGRAMING

- 1) Power up TCP
- 2) Place magnet on SET to access setup menu
- 3) Touch the magnet to the + or – to adjust setting
- 4) Wait 2 seconds for display flashes – setting is saved

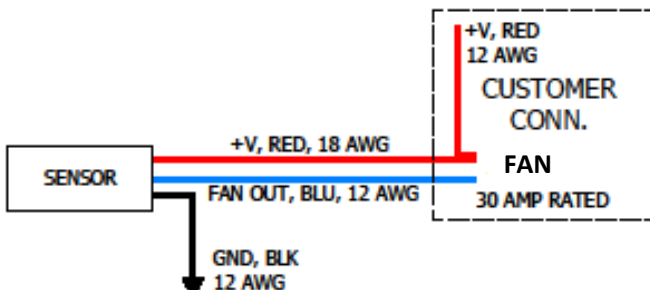


Set up Menu

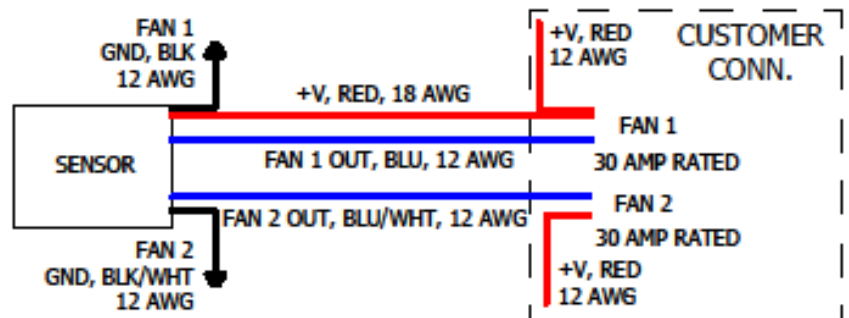
	Single Fan	Dual Fan	Factory Setting
Fan 1 On	SP1	SP1	115 °F
Fan 2 On		SP2	120 °F
Force on 1	FO1	FO1	(turns fans on for 7 sec)
Force on 2		FO2	(turns fans on for 7 sec)
C° or F°	CoF	CoF	°F
Hysteresis			8 °F

WIRING

Single Fan TCP1 Schematic



Dual Fan TCP2 Schematic



AKG fan controls are not design for use as a high temperature safety shutdown control.